

726 Single Rack Gas Oven

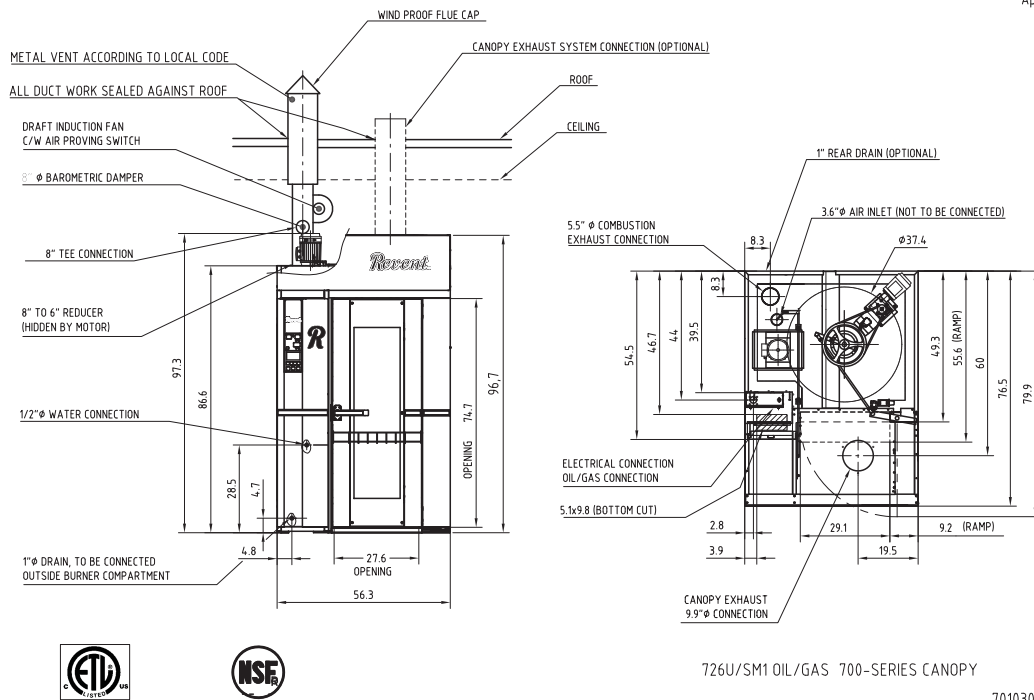


Available in gas, oil or electrically heated models.
Accepts one single rack
18" x 26" or 20" x 30" pans

The unique technology in a Revent oven will take your baking quality to an even higher level.

Revent TCC System (Total Convection Control)
Revent HVS System (High Volume Steam)

Revent[™]
More than Quality.



Standard features

- > Revent TCC System
- > Revent HVS System
- > Revent LID System
- > Revent Cross Line Heat Exchanger
- > Revent Wedge Installation System
- > Stainless Steel Design
- > IAC (InterActive Control) Panel
- > Automatic Steam and Damper Control
- > Double glass door

Utility Requirements

Gas

- > Natural Gas: Indirect fired 3/4" drop to 1/2" NPT connection
- > Liquid Propane: Indirect fired 3/4" drop to 1/2" NPT connection

Water and Drain

- > Water Supply : 1/2" NPT ϕ 60-65 PSI cold
- > Drain: 1" NPT, optional connection to rear

Ventilation

- > Over Pressure Duct: through door to canopy
- > Oven Damper Exhaust: through door to canopy
- > Canopy Port: 9.9" ϕ
- > Oven Stack Exhaust: 8" ϕ , Type "B" gas and oil versions only

703 Oil/gas heated		
Voltage	Heating	Fuse
3PH 208-220V+ N	149000 btuh	20 A
3PH 440-480V + 1 PH 115V	149000 btuh	15 A

NOTE:

Other voltages available, check with factory.
Limited warranty, one year parts+labor

Technical information

- > Maximum Heat Capacity: see table below
- > Temperature range: 95-572°F
- > Total shipping weight: 2425 lbs*
- > Minimum intake opening: without skid: 39" x 56" with skid: 41.5" x 62" (standard 2 section delivery)
- > Minimum intake opening: 55.2" x 57.1" (optional one-piece shipment without skid)
- > Minimum section tilt up height and recommended service height: 106"
- > Swing diameter: 37.4"
- > Max load of racklift and platform 441 lbs
- > Steam Generation 1.19gals/20sec at 482°F
- > Installation requirements: The oven must be installed on level non combustible floor. The oven may be installed flush against a wall - only the front and top need to be left for access. The space on top of the oven must be well ventilated and the temperature may not exceed 120°F to avoid damage to electrical components.

*Final shipping

Weights will depend on the final order specifications.

Continuous product development is a Revent policy. Therefore, we reserve the right to change specifications and/or design without prior notice. Pictures or drawings may include product options.

Revent sales representative:



Revent Incorporated

100 Ethel Road West, Piscataway, New Jersey 08854
Phone (732) 777-9433, Fax (732) 777-1187
Toll Free 800-822-9642
E-mail info@revent.com, www.revent.com